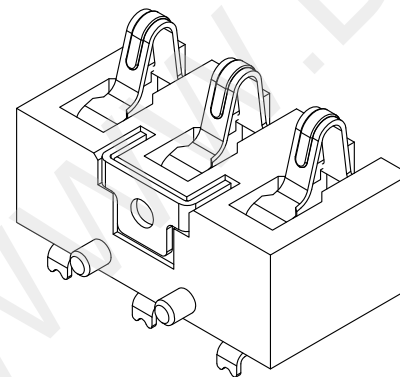
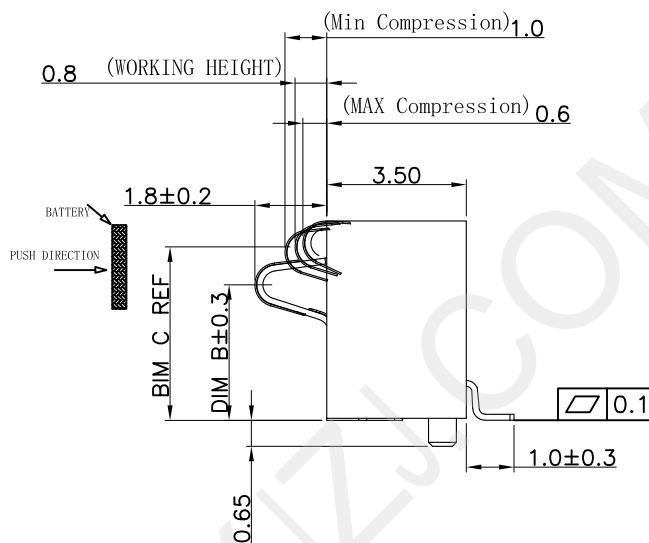


RECOMMENDED PCB LAYOUT
TOL:(± 0.05)



性能:

额定电流: 2.0A

额定电压: 12V

耐电压: 500V

接触电阻: 30m Ω


绝缘电阻: 500M Ω

工作温度: -40 $^{\circ}$ C ~ +85 $^{\circ}$ C

塑件(材质): LCP

接触点(材质): 磷铜, 镀金

规格	DIM A	DIM B	DIM C
HYC-BB3P3072D-30	7.2	5.5	6.5
HYC-BB3P3068D-30	6.8	5.1	6.1
HYC-BB3P3060D-30	6.0	4.3	5.3
HYC-BB3P3054D-30	5.4	3.7	4.7
HYC-BB3P3050D-30	5.0	3.3	4.3
HYC-BB3P3046D-30	4.6	2.9	3.9


深圳市华宇创精密电子有限公司

TOLERANCE: X.X ± 0.30 X.XX ± 0.25 X.XXX ± 0.15 X' $\pm 2'$ X.X' $\pm 0.5'$	DRAWN BY : 陈一鸣	DATE : 2014-02-23	PART NAME: 3.0PH 3P侧压电池座 3.0柱	
	CHECKED BY: 马跃	DATE : 2014-02-23	PART NO. SEE TABLE	MOLD NO.
UNIT: mm [inch]	APPROVED BY: 邱敏	DATE : 2014-02-23	DRAW NO: HYC-202006051630	SHEET NO. 1 OF 1
SCALE: 1:1	SIZE: A4			